

DYNAMIS

LEAD-LINE 12-12 S

Maintenance-Free Valve Regulated Lead-Acid Battery



Specification

Nominal Voltage		12V
Nominal Capacity		
20hr rate (0.6 A to 10.5 V)		12.0 Ah
10hr rate (1.14 A to 10.5 V)		11.2 Ah
5hr rate (2.04 A to 10.2 V)		10.0 Ah
1C (12.0 A to 9.6 V)		6.3 Ah
3C (36.0 A to 9.6 V)		4.1 Ah
Weight, typ.		3.7 kg
Internal Resistance (at 1kHz), approx.		13 mΩ
Maximum Discharge Current for 5 Seconds		175 A
Operation Temperatures		
Charge	-5 ~ +40°C	
Discharge	-15 ~ +50°C	
Storage	-15 ~ +40°C	
Self Discharge (for storage at 20°C)		
1 Month	max. 8%	
3 Months	max. 10%	
6 Months	max. 20%	

Charge Parameters for 25°C

Cyclic Use	
Charge Voltage Range	14.4 ~ 15.0 V
Maximum Charge Current	3.6 A
Standby Use	
Float Voltage	13.5 ~ 13.8 V

Estimated Service Life

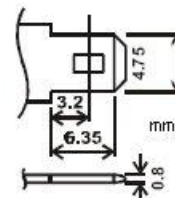
Cyclic Use	
100% Depth of Discharge (DoD)	200 cycles
80% DoD	225 cycles
50% DoD	500 cycles
Standby Use	
	3 to 5 years

Case Material

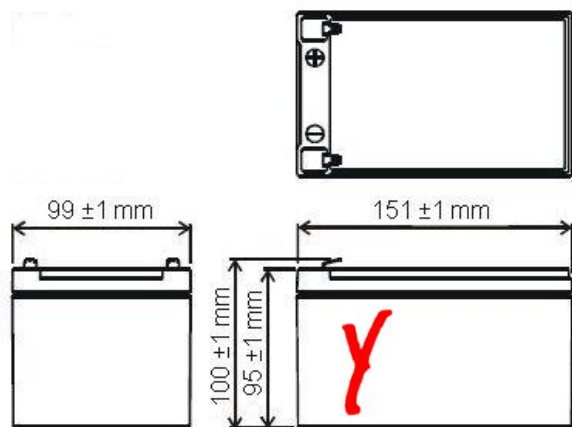
ABS
(Optional: Flame retardant acc. 94 HB and 94 V0)

Terminal Type

S



S-Faston



Art. Nr. 60.05027

Certified according to UL

